

#TA064	#R22	#LINK
NOT-FITTED	150KX	0X
FITTED	-	-

S22	D-RANGE	SIGNAL NAME
1	1	RX-AUDIO
3	2	AUDIO-ENABLE
5	3	PTT/BID-IN
7	4	NC
9	5	ALARM-AUDIO
11	6	RX-DATA-IN
13	7	ALARM-HOLD
15	8	CNL-SEL-OUT
2	9	PTT-OUT
4	10	CNL-SEL-IN
6	11	GND
8	12	FOOTSWITCH
10	13	PSK-OUT
12	14	ALARM-SENSE
14	15	GND
16	-	+13V8SW

S23	D-RANGE	SIGNAL NAME
1	1	RX-AUDIO
3	2	RSS-IN
5	3	METER-N/C
7	4	GND-N/C
9	5	RX-DISC-AUD
11	6	RADIO-PWR-ON
13	7	CH-OUT
15	8	PTT-OUT
2	9	CH-IN
4	10	ANALOG-GND
6	11	EXT-SPKR-N/C
8	12	TX-AUDIO
10	13	ALARM-SENSE
12	14	GND
14	15	+13V8
16	-	-

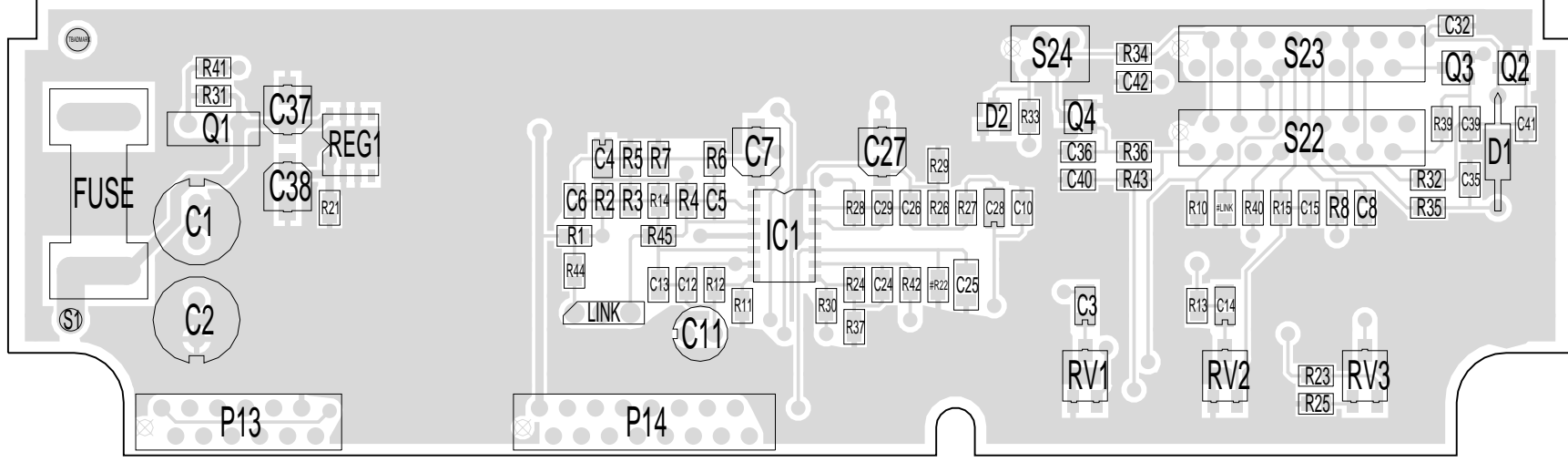
REV/ISS	AMENDMENTS	DRAWN	CHKD	D.O.	APVD	DATE
4A	CHANGED TECHNOLOGY OF PCB TO SMD	M.HALL	M.HALL	M.HALL	S.CRAGG	13/12/95
3A	ADDED MECHANICAL PARTS TO BOM.	M.HALL	M.HALL	D.ELDER	S.CRAGG	09/03/93
2C	ADDED MECHANICAL PARTS TO BOM.	M.HALL	M.HALL	D.ELDER	S.CRAGG	09/03/93
2B	CHANGED VALUE OF C11	M.HALL	OVERTOON	D.ELDER	S.CRAGG	15/06/94
2A		M.HALL	OVERTOON	D.ELDER	S.CRAGG	03/12/92
1B	AMENDMENT TO ISSUE 1A	M.HALL	OVERTOON	D.ELDER	S.CRAGG	18/09/92
1A	PRODUCTION RUN.	M.HALL	OVERTOON	D.ELDER	S.CRAGG	-
P1	PROTOTYPE	M.HALL	OVERTOON	D.ELDER	S.CRAGG	28/05/92

© TAIT ELECTRONICS

TA064-01
T2010 RAYWOOD INTERFACE

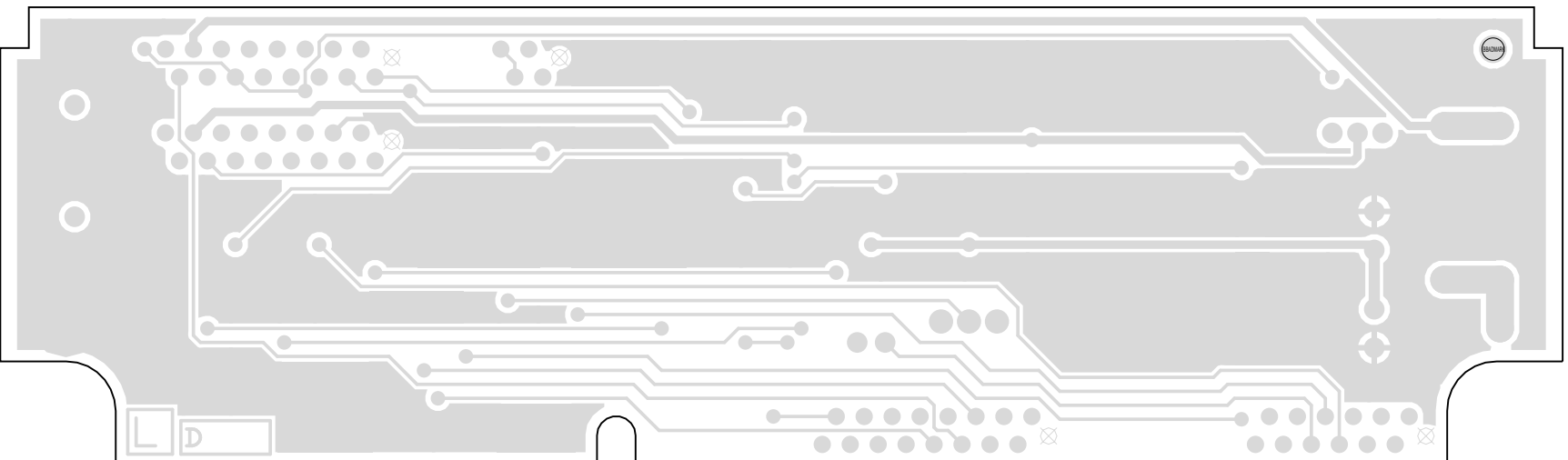
ISSUE: A ID: 2.S.C. 1

PROJECT: 227-06401-04 DESIGNER: H.OVERTOON FILE NAME: A006414A FILE DATE: 28-10-97 NO SHEETS: 1



TAIT ELECTRONICS IPN: 227-06401-04 ISS: A 1.TA DATE: 30 Oct 1997
 TA064-01 PCB LAYOUT - TOP SIDE

Scale: 1:6:1 ; Rotation: 0 degrees



TAIT ELECTRONICS	IPN:	ISS:	ID:	DATE:
	227-06401-04	A	2.BA	30 Oct 1997
TA064-01 PCB LAYOUT - BOTTOM SIDE				

Scale: 1:6:1 ; Rotation: 0 degrees